



# SHACKLES



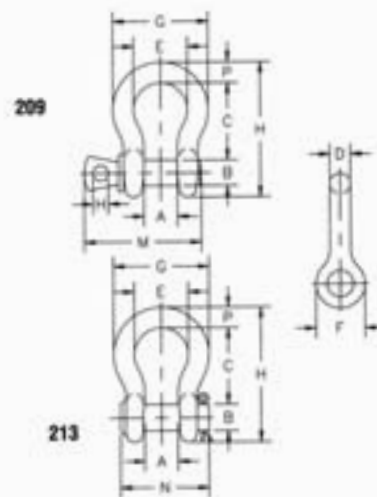
**SCREW PIN  
G-209/S-209**

- Working Load Limit permanently shown on every shackle.
- Forged - Quenched and Tempered, with alloy pins.
- Capacities 1/3 through 55 tons.
- Look for the Red Pin™ the mark of genuine Crosby quality
- Shackles can be furnished proof tested with certificates to designated standards, such as ABS, DNV, Lloyds, or other certification. Charges for proof testing and certification available when requested at the time of order.
- Hot Dip galvanized or Self-Colored.
- Fatigue rated.



**ROUND PIN  
G-213/S-213**

Normal Shackle Size (in)	Working Load Limit (tons.)*	Dimensions (In.)				Weight Each (lbs)	
		G-209 Galv.	S-209 S.C.	G-213 Galv.	S-213 S.C.	G-209 S-209	G-213 S-213
3/16	1/3†	1018357	----	----	----	.06	----
1/4	1/2	1018375	1018384	1018017	1018026	.10	.13
5/16	3/4	1018393	1018400	1018035	1018044	.19	.18
3/8	1	1018419	1018428	1018053	1018062	.31	.29
7/16	1 1/2	1018437	1018446	1018071	1018080	.38	.38
1/2	2	1018455	1018464	1018099	1018106	.72	.71
5/8	3 1/4	1018473	1018482	1018115	1018124	1.37	1.50
3/4	4 3/4	1018491	1018507	1018133	1018142	2.35	2.32
7/8	6 1/2	1018516	1018525	1018151	1018160	3.62	3.49
1	8 1/2	1018534	1018543	1018179	1018188	5.03	5.00
1 1/8	9 1/2	1018552	1018561	1018197	1018204	7.41	6.97
1 1/4	12	1018570	1018589	1018213	1018222	9.50	9.75
1 3/8	13 1/2	1018598	1018605	1018231	1018240	13.53	13.25
1 1/2	17	1018614	1018623	1018259	1018268	17.20	17.25
1 3/4	25	1018632	1018641	1018277	1018286	27.78	29.46
2	35	1018650	1018669	1018295	1018302	45.00	45.75
2 1/2	55†	1018678	1018687	----	----	85.75	----



Normal Size (in)	Working Load Limit (tons.)*	Dimensions (In.)												Tolerance	
		A	B	C	D	E	F	G	H	L	M	N	P	C	A
3/16	1/3†	.38	.25	.88	.19	.60	.56	.98	1.47	.16	1.12	----	.19	.06	.06
1/4	1/2	.47	.31	1.13	.25	.78	.61	1.28	1.84	.19	1.38	1.34	.25	.06	.06
5/16	3/4	.53	.38	1.22	.31	.84	.75	1.47	2.09	.22	1.66	1.59	.31	.06	.06
3/8	1	.66	.44	1.44	.38	1.03	.91	1.78	2.49	.25	2.03	1.86	.38	.13	.06
7/16	1 1/2	.75	.50	1.69	.44	1.16	1.06	2.03	2.91	.31	2.38	2.13	.44	.13	.06
1/2	2	.81	.63	1.88	.50	1.31	1.19	2.31	3.28	.38	2.69	2.38	.50	.13	.06
5/8	3 1/4	1.06	.75	2.38	.63	1.69	1.50	2.94	4.19	.44	3.34	2.91	.69	.13	.06
3/4	4 3/4	1.25	.88	2.81	.75	2.00	1.81	3.50	4.97	.50	3.97	3.44	.81	.25	.06
7/8	6 1/2	1.44	1.00	3.31	.88	2.28	2.09	4.03	5.83	.50	4.50	3.81	.97	.25	.06
1	8 1/2	1.69	1.13	3.75	1.00	2.69	2.38	4.69	6.56	.56	5.07	4.53	1.06	.25	.06
1 1/8	9 1/2	1.81	1.25	4.25	1.16	2.91	2.69	5.16	7.47	.63	5.59	5.13	1.25	.25	.06
1 1/4	12	2.03	1.38	4.69	1.29	3.25	3.00	5.75	8.25	.69	6.16	5.50	1.38	.25	.13
1 3/8	13 1/2	2.25	1.50	5.25	1.42	3.63	3.31	6.38	9.16	.75	6.84	6.13	1.50	.25	.13
1 1/2	17	2.38	1.63	5.75	1.54	3.88	3.63	6.88	10.00	.81	7.35	6.50	1.62	.25	.13
1 3/4	25	2.88	2.00	7.00	1.84	5.00	4.19	8.86	12.34	1.00	9.08	7.75	2.25	.25	.13
2	35	3.25	2.25	7.75	2.08	5.75	4.81	9.97	13.68	1.22	10.34	8.75	2.40	.25	.13
2 1/2	55†	4.13	2.75	10.50	2.71	7.25	5.69	12.87	17.84	1.38	13.00	----	3.13	.25	.25

† Furnished in Screw Pin Only.

\* NOTE: Maximum Proof Load is 2.2 times the Working Load Limit. Minimum Ultimate Load is 6 times the Working Load Limit.

# SHACKLES



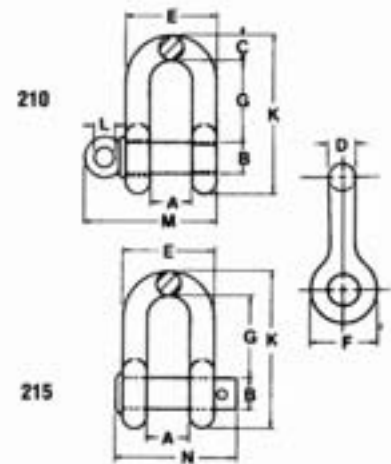
**SCREW PIN  
G-210/S-210**

- Working Load Limit permanently shown on every shackle.
- Forged - Quenched and Tempered, with alloy pins.
- Capacities 1/3 through 55 tons.
- Look for the Red Pin™ the mark of genuine Crosby quality
- Shackles can be furnished proof tested with certificates to designated standards, such as ABS, DNV, Lloyds, or other certification. Charges for proof testing and certification available when requested at the time of order.
- Hot Dip galvanized or Self-Colored.
- Fatigue rated.



**ROUND PIN  
G-215/S-215**

Normal Shackle Size (in)	Working Load Limit (tons.)*	Dimensions (In.)				Weight Each (lbs)	
		G-210 Galv.	S-210 S.C.	G-215 Galv.	S-215 S.C.	G-210 S-210	G-215 S-215
1/4	1/2	1019150	1019169	1018810	1018829	.11	.10
5/16	3/4	1019178	1019187	1018838	1018847	.17	.18
3/8	1	1019196	1019203	1018856	1018865	.28	.25
7/16	1 1/2	1019212	1019221	1018874	1018883	.43	.40
1/2	2	1019230	1019249	1018892	1018909	.59	.50
5/8	3 1/4	1019258	1019267	1018918	1018927	1.25	1.21
3/4	4 3/4	1019276	1019285	1018936	1018945	2.63	2.00
7/8	6 1/2	1019294	1019301	1018954	1018963	3.16	3.28
1	8 1/2	1019310	1019329	1018972	1018981	4.75	4.75
1 1/8	9 1/2	1019338	1019347	1018990	1019007	6.75	6.30
1 1/4	12	1019356	1019365	1019016	1019025	9.06	9.00
1 3/8	13 1/2	1019374	1019383	1019034	1019043	11.63	12.00
1 1/2	17	1019392	1019409	1019052	1019061	15.95	16.15
1 3/4	25	1019418	1019427	1019070	1019089	26.75	29.96
2	35	1019436	1019445	1019098	1019105	42.31	43.25
2 1/2	55†	1019454	1019463	----	----	71.75	----



Normal Size (in)	Working Load Limit (tons.)*	Dimensions (In.)											Tolerance	
		A	B	C	D	E	F	G	K	L	M	N	G	A
1/4	1/2	.47	.31	.25	.25	.97	.61	.88	1.59	.19	1.38	1.34	.06	.06
5/16	3/4	.53	.38	.31	.31	1.16	.75	1.03	1.91	.22	1.66	1.59	.06	.06
3/8	1	.66	.44	.38	.38	1.41	.91	1.25	2.30	.25	2.03	1.86	.013	.06
7/16	1 1/2	.75	.50	.44	.44	1.63	1.06	1.44	2.66	.31	2.38	2.13	.13	.06
1/2	2	.81	.63	.50	.50	1.81	1.19	1.63	3.03	.38	2.69	2.38	.13	.06
5/8	3 1/4	1.06	.75	.62	.63	2.31	1.50	2.00	3.75	.44	3.34	2.91	.13	.06
3/4	4 3/4	1.25	.88	.81	.75	2.75	1.81	2.38	4.53	.50	3.97	3.44	.25	.06
7/8	6 1/2	1.44	1.00	.97	.88	3.19	2.09	2.81	5.33	.50	4.50	3.81	.25	.06
1	8 1/2	1.69	1.13	1.00	1.00	3.69	2.38	3.19	5.94	.56	5.07	4.53	.25	.06
1 1/8	9 1/2	1.81	1.25	1.25	1.13	4.06	2.69	3.58	6.78	.63	5.59	5.13	.25	.06
1 1/4	12	2.03	1.38	1.38	1.25	4.53	3.00	3.94	7.50	.69	6.16	5.50	.25	.13
1 3/8	13 1/2	2.25	1.50	1.50	1.38	5.00	3.31	4.38	8.28	.75	6.84	6.13	.25	.13
1 1/2	17	2.38	1.63	1.62	1.50	5.38	3.62	4.81	9.06	.81	7.35	6.50	.25	.13
1 3/4	25	2.88	2.00	2.12	1.75	6.38	4.19	5.75	10.97	1.00	9.08	7.75	.25	.13
2	35	3.25	2.25	2.00	2.00	7.25	4.81	6.75	12.28	1.22	10.34	8.75	.25	.13
2 1/2	55†	4.13	2.75	2.62	2.62	9.38	5.69	8.00	14.84	1.38	13.00	---	.25	.25

† Furnished in Screw Pin Only.

\* NOTE: Maximum Proof Load is 2.2 times the Working Load Limit. Minimum Ultimate Load is 6 times the Working Load Limit.



# SHACKLES

## CROSBY BOLT TYPE ANCHOR & CHAIN SHACKLES



Working Load Limits (Tons)	Nominal Shackles Size Inches	Inside Length		Inside Width at Pin	Weight Pounds Each	
		2130	2150		2130	2150
2	1/2	1 1/2	1 1/2	1 1/8	.79	.75
3 1/2	3/4	2 1/4	2 1/4	1 1/8	1.68	1.47
4 1/2	7/8	2 3/4	2 3/4	1 1/8	2.72	2.52
6 1/2	1	3 1/4	2 3/4	1 1/8	3.95	3.85
8 1/2	1 1/8	3 3/4	3 1/4	1 1/8	6.12	5.55
9 1/2	1 1/4	4 1/4	3 3/4	1 1/8	8.27	7.60
12	1 1/2	4 3/4	3 3/4	2 1/8	11.71	10.81
13 1/2	1 3/4	5 1/4	4 1/4	2 1/8	15.38	13.75
17	1 3/4	5 3/4	4 3/4	2 1/8	20.80	18.50
25	2	7	5 1/4	2 1/8	33.91	31.40
35	2 1/4	7 3/4	6 1/4	3 1/8	52.25	46.75
55	2 3/4	10 1/2	8	4 1/8	98.25	85.00
85	3	13	8 1/2	5	154.00	124.25
120	3 1/2	14 1/2	—	5 1/8	265.00	—
175	4	14 1/2	—	5 1/2	338.00	—

Load Rated<sup>®</sup>, working load permanently shown on every shackle. Forged, Quenched and Tempered, with alloy pins. Capacities from 2 thru 150 tons. Hot dip galvanized or self colored. Shackles can be furnished proof tested with certificates per requirements of A.B.S. or Lloyds Charges for proof testing and certification available upon request.

NOTE: †Furnished in Anchor Shackle only.

\*Maximum Proof Load is 2.2 times the Working Load Limit or as designated.  
Minimum Ultimate Strength is 6 times the Working Load Limit.

## CROSBY FORGED ALLOY SHACKLES



Working Load Limits (Tons)	Nominal Shackles Size Inches	Inside Length	Inside Width at Pin	Weight Pounds Each
30	1 1/2	5 1/4	2 1/8	20.80
40	1 3/4	7	2 1/8	33.91
50	2	7 3/4	3 1/8	52.00
80	2 1/2	10 1/2	4 1/8	96.00
110	3	13	5	178
140	3 1/2	14 1/2	5 1/8	265
175	4	14 1/2	5 1/2	338

Load Rated<sup>®</sup>, working load is permanently shown on every shackle. Alloy bows and alloy bolts. Quenched and Tempered, individually proof tested.

NOTE: \*Maximum Proof Load is 2.2 times the Working Load Limit or as designated.  
Minimum Ultimate Strength is 6 times the Working Load Limit.

## DIG ORANGE<sup>™</sup> ALLOY STEEL ANCHOR SHACKLES WITH BOLT, NUT AND COTTER



Anchor Number	Working Load Limit in Tons	ALL DIMENSIONS IN INCHES						TOLERANCES PLUS OR MINUS	Nominal Weight per LB
		Ø Bolt Diameter	Ø Washer or Pin	Ø Bolt Length	Ø Inside Length	Ø Inside Width at Pin	Ø Inside Width at Pin		
MS25A	3-5/16	1/2	5/8	13/16	1-1/2	1-7/16	1/16	1/16	84
MS26A	5	3/8	3/4	1-1/8	2-1/2	1-3/4	1/16	1/8	175
MS28A	7	3/4	3/8	1-1/4	3	2	1/16	1/4	250
MS29A	9-1/2	7/8	1	1-7/16	3-1/4	2-5/16	1/16	1/4	400
MS34A	12-1/2	1	1-1/8	1-11/16	3-3/4	2-9/16	1/16	1/4	550
MS35A	17	1-1/8	1-1/4	1-13/16	4-1/4	2-15/16	1/16	1/4	750
MS36A	21	1-1/4	1-3/8	2	4-1/2	3-1/4	1/16	1/4	1100
MS38A	24	1-3/8	1-1/2	2-1/4	5-1/4	3-1/2	1/8	1/4	1300
MS39A	30	1-1/2	1-5/8	2-3/8	5-3/4	3-3/4	1/8	1/4	1800
MS39A	35	1-5/8	1-3/4	2-5/8	5-1/4	4-3/8	1/8	1/4	2000
MS39A	40	1-3/4	2	2-7/8	7	5	1/8	1/4	2100
MS39A	50	2	2-1/4	3-1/4	7-3/4	5-3/4	1/8	1/4	4000
MS39A	65	2-1/4	2-1/2	3-5/8	8-3/4	6-1/4	1/8	1/4	6700
MS39A	82	2-1/2	3-3/4	4-5/8	10-1/2	7	1/8	1/4	9000
MS39A	100	2-3/4	3	4-1/2	11-3/4	7-5/8	1/8	1/4	11000
MS39A	114	3	3-1/4	5	13	8	1/8	1/4	15000

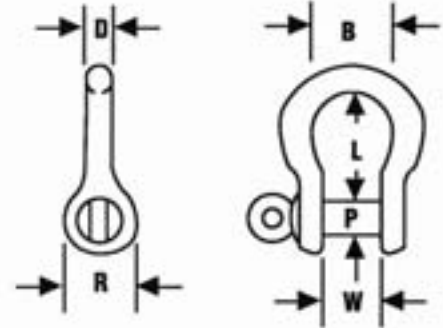
# SHACKLES



CM alloy steel anchor shackle with screw pin

Size Dia. (D)	*Working Load Limit (tons)	Approx. Weight Each (lbs.)	Dimensions (in.)				
			P	W	L	B	R
3/8	2	.30	7/16	21/32	1 7/16	15/16	1 1/8
7/16	25/8	.50	1/2	3/4	1 11/16	1 1/16	1 1/4
1/2	3 1/3	.75	5/8	13/16	1 7/8	1 3/16	1 3/8
5/8	5	1.30	3/4	1 1/16	2 3/8	1 1/2	1 7/8
3/4	7	2.30	7/8	1 1/4	2 13/16	1 3/4	2 1/8
7/8	9 1/2	3.50	1	1 7/16	3 5/16	2	2 3/8
1	12 1/2	5.00	1 1/8	1 11/16	3 3/4	2 5/16	2 5/8
1 1/8	15	7.00	1 1/4	1 13/16	4 1/4	2 5/8	2 7/8
1 1/4	18	9.50	1 3/8	2 1/32	4 11/16	2 7/8	3 1/4
1 3/8	21	12.50	1 1/2	2 3/4	5 1/4	3 1/4	3 1/2
1 1/2	25	17.20	1 5/8	2 3/8	5 3/4	3 3/8	3 3/4
1 5/8	29	23.50	1 3/4	2 5/8	6 1/4	4	4 1/8
1 3/4	34	28.00	2	2 7/8	7	4 1/2	4 1/2
2	43	39.00	2 1/4	3 1/4	7 3/4	5 1/4	5 1/4

\*Ton = 2,000 lbs.



CM alloy steel anchor shackle with bolt, nut and cotter (B, N, C)

Size Dia. (D)	*Working Load Limit (tons)	Approx. Weight Each (lbs.)	Dimensions (in.)				
			P	W	L	B	R
1/2	3 1/3	.80	5/8	13/16	1 7/8	1 3/16	1 3/8
5/8	5	1.75	3/4	1 1/16	2 3/8	1 1/2	1 7/8
3/4	7	2.50	7/8	1 1/4	2 13/16	1 3/4	2 1/8
7/8	9 1/2	4.00	1	1 7/16	3 5/16	2	2 3/8
1	12 1/2	5.50	1 1/8	1 11/16	3 3/4	2 5/16	2 5/8
1 1/8	15	7.50	1 1/4	1 13/16	4 1/4	2 5/8	2 7/8
1 1/4	18	11.00	1 3/8	2 1/32	4 11/16	2 7/8	3 1/4
1 3/8	21	13.50	1 1/2	2 1/4	5 1/4	3 1/4	3 1/2
1 1/2	30	18.50	1 5/8	2 3/8	5 3/4	3 3/8	3 3/4
1 5/8	35	26.00	1 3/4	2 5/8	6 1/4	4	4 1/8
1 3/4	40	31.00	2	2 7/8	7	4 1/2	4 1/2
2	50	42.00	2 1/4	3 1/4	7 3/4	5 1/4	5 1/4
2 1/2**	80	90.00	2 3/4	4 1/4	10 1/2	6 3/4	6 1/4
3**	110	137.00	3 1/4	5	13	7 3/8	6 3/4
3 1/2**	140	242.00	3 3/4	5 3/4	15	9	8 1/2

\*Ton = 2,000 lbs.

† 3 1/2" size has round head bolt with lifting eye.

\*\* Imported

